

Measuring Guide

Customer Name: _____ **Phone:** _____

Address: _____

Email: _____

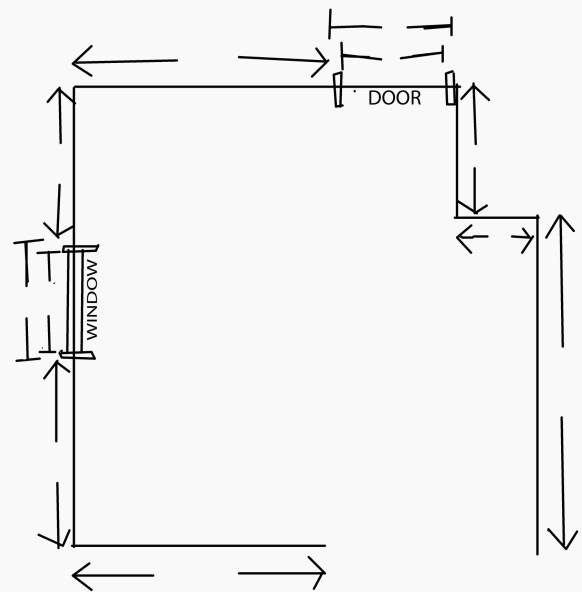
Use this easy-to-follow guide for measuring out your kitchen. Bring these measurements to your initial meeting at the showroom to help get your project underway!

1. Start by drawing an outline of your kitchen showing all walls and any structural features that affect where cabinets go.

2. Label any doors and windows that are in your kitchen. Measure the width with trim and without trim.

3. Now that you have drawn the overall layout, it is time to get measurements of each area. Use the example to the right to make sure nothing is forgotten. Don't worry if you think your measurements are not exact, your designer will come verify all details before placing the order.

4. It is also a good idea to take pictures of your existing kitchen. You can take these on a cell phone or camera and bring them in if you would like.



CEILING HEIGHT (In Inches):